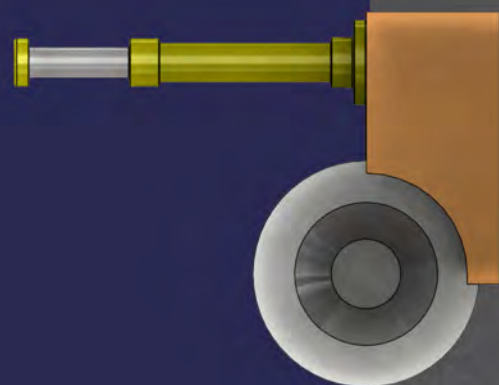


EFFECTIVE CONTROL
FOR INDUSTRIAL APPLICATIONS



**HYDRAULIC
BUFFERS**

TECHNICAL PROPERTIES

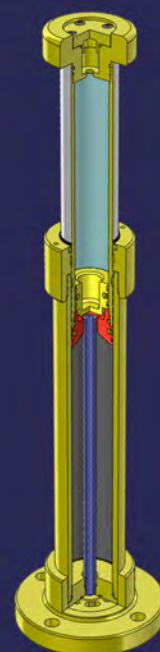


GENERAL

ADJUSTMENT	SELF ADJUSTING TYPE
INSTALLATION	REAR MOUNT (RM) FRONT MOUNT (FM)
FILLING	OIL / NITROGEN
TEMPERATURE	-10 C TO +80 C (STANDARD) -40 C TO +120 C (SPECIAL)
PISTON ROD APPLICATION	PLASMA COATING (20 μ) OVERHEAD CRANES CONTAINER CRANES STACKER CRANES TRANSFER CARS RAILWAY APPLICATIONS

COATING

BODY	SYNTHETIC RESIN COLOR OPTIONAL 80 μM
------	--



Crash effect is a physical factor to be avoided in mechanical structures. Energy that cannot be damped through cranes working with high kinetic energy and other rail transport systems leads to crashes and therefore, to damages in the mechanical structure, and thus significantly decreases the fatigue life of the steel structures.

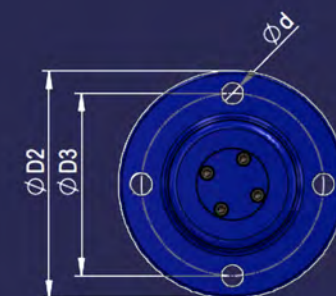
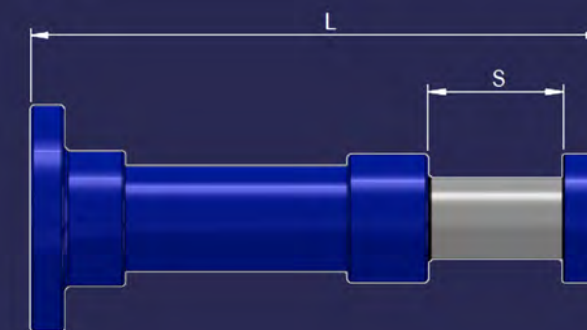
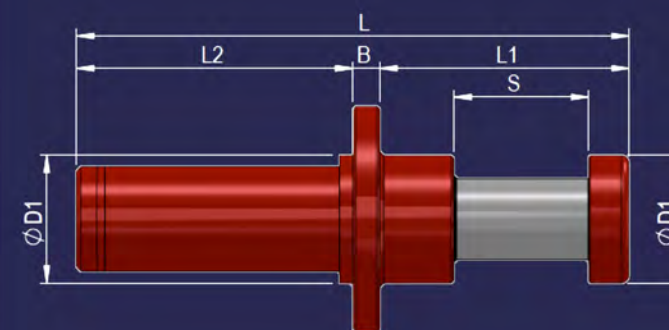
Buffers used to damp the energy resulting from the crash in rail transport systems and crane systems working with various load capacities and in different velocities are very important for prolong the life of the transport system and for the security. GL Machinery Ltd. co. Provides solutions for damping through estimations and designs in line with the related standards and international technical reports, based on the information presented by the customer. It is possible to manufacture two types of buffers as spring supported and hydraulic as well as many variations according to energy buffering capacities, strokes and connection types. In the selection of buffers, it is important to prefer the buffers with optimum values by determining the right spring and buffering coefficient.

IMPROVE THE WORKING ENVIRONMENT

By adding some additional equipments, you can improve the working environment of crane operator.

BEST WAY TO MODERNIZATION

If you transmit to us electric schemes, we able to prepare control knobs and buttons as a turnkey product.

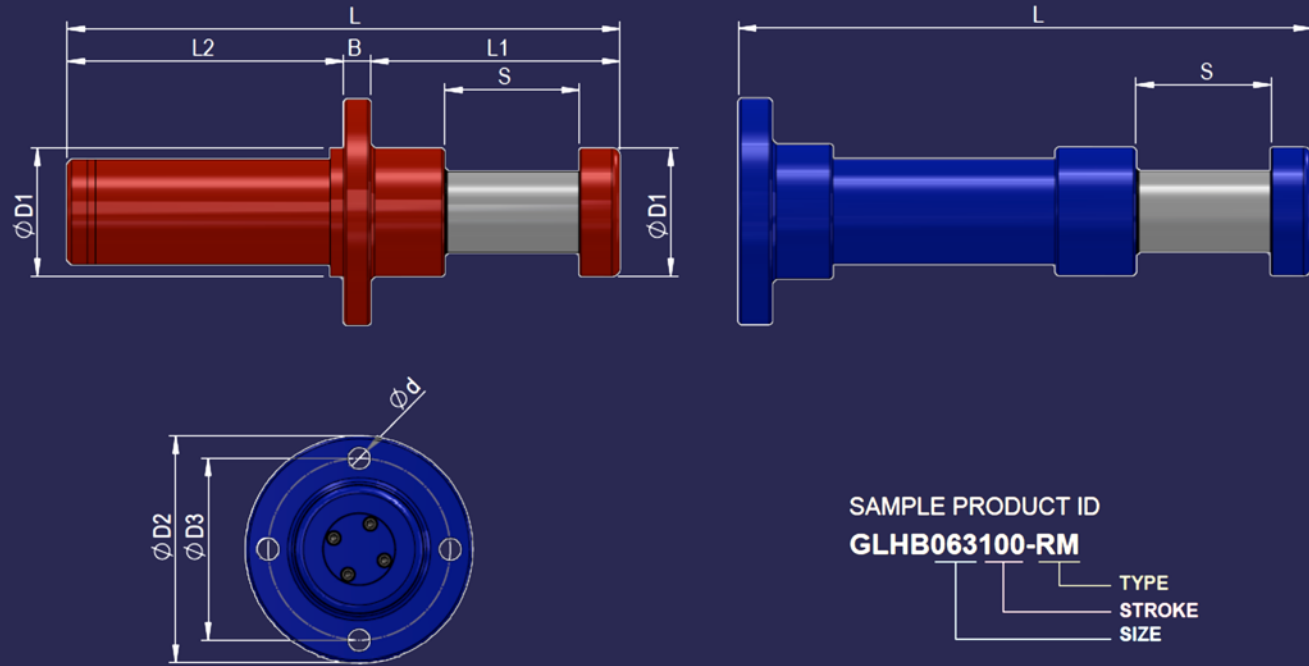


SAMPLE PRODUCT ID
GLHB063100-RM

TYPE
STROKE
SIZE

SIZE 050	S	L	L1	L2	B	D1	D2	D3	d	W	F
	"mm"	"mm"	"mm"	"mm"	"mm"	"mm"	"mm"	"mm"	"mm"	Capacity/Stroke "kj"	Buffering Force "kN"
GLHB 050 050	50	270	100	152	18	75	135	110	13	4	100
GLHB 050 100	100	410	150	242	18	75	135	110	13	9	100
GLHB 050 150	150	550	200	332	18	75	135	110	13	13	100
GLHB 050 200	200	685	250	417	18	75	135	110	13	18	100
GLHB 050 250	250	825	300	507	18	75	135	110	13	23	100
GLHB 050 300	300	965	350	597	18	75	135	110	13	27	100





SIZE 063

	S	L	L1	L2	B	D1	D2	D3	d	W	F
	"mm"	"mm"	"mm"	"mm"	"mm"	"mm"	"mm"	"mm"	"mm"	Capacity/Stroke "kJ"	Buffering Force "kN"
GLHB 063 050	50	280	110	150	20	95	168	135	17	7	170
GLHB 063 100	100	425	160	245	20	95	168	135	17	15	170
GLHB 063 150	150	560	210	300	20	95	168	135	17	23	170
GLHB 063 200	200	700	260	420	20	95	168	135	17	30	170
GLHB 063 250	250	835	310	505	20	95	168	135	17	38	170
GLHB 063 300	300	975	360	595	20	95	168	135	17	46	170
GLHB 063 350	350	1110	410	680	20	95	168	135	17	51	160
GLHB 063 400	400	1255	460	775	20	95	168	135	17	54	150
GLHB 063 450	450	1395	510	865	20	95	168	135	17	57	140
GLHB 063 500	500	1535	560	955	20	95	168	135	17	59	130
GLHB 063 550	550	1650	610	1020	20	95	168	135	17	60	120
GLHB 063 600	600	1785	660	1105	20	95	168	135	17	60	110
GLHB 063 650	650	1925	710	1195	20	95	168	135	17	59	100
GLHB 063 700	700	2060	760	1280	20	95	168	135	17	57	90
GLHB 063 750	750	2200	810	1370	20	95	168	135	17	54	80
GLHB 063 800	800	2340	860	1460	20	95	168	135	17	51	70

SIZE 080

	S	L	L1	L2	B	D1	D2	D3	d	W	F
	"mm"	"mm"	"mm"	"mm"	"mm"	"mm"	"mm"	"mm"	"mm"	Capacity/Stroke "kJ"	Buffering Force "kN"
GLHB 080 050	50	290	140	125	25	118	198	165	18	11	260
GLHB 080 100	100	440	190	225	25	118	198	165	18	23	260
GLHB 080 150	150	590	240	325	25	118	198	165	18	35	260
GLHB 080 200	200	740	290	425	25	118	198	165	18	48	260
GLHB 080 250	250	870	340	505	25	118	198	165	18	59	260
GLHB 080 300	300	1015	390	600	25	118	198	165	18	68	250
GLHB 080 350	350	1160	440	695	25	118	198	165	18	76	240
GLHB 080 400	400	1285	490	770	25	118	198	165	18	84	230
GLHB 080 450	450	1430	540	865	25	118	198	165	18	90	220
GLHB 080 500	500	1570	590	955	25	118	198	165	18	95	210
GLHB 080 550	550	1715	640	1050	25	118	198	165	18	100	200
GLHB 080 600	600	1860	690	1145	25	118	198	165	18	104	190
GLHB 080 650	650	2000	740	1235	25	118	198	165	18	106	180
GLHB 080 700	700	2145	790	1330	25	118	198	165	18	108	170
GLHB 080 750	750	2290	840	1425	25	118	198	165	18	109	160
GLHB 080 800	800	2395	890	1480	25	118	198	165	18	109	150
GLHB 080 900	900	2685	990	1670	25	118	198	165	18	106	130
GLHB 080 1000	1000	2970	1090	1855	25	118	198	165	18	100	110

SIZE 100

	S	L	L1	L2	B	D1	D2	D3	d	W	F
	"mm"	"mm"	"mm"	"mm"	"mm"	"mm"	"mm"	"mm"	"mm"	Capacity/Stroke "kJ"	Buffering Force "kN"
GLHB 100 100	100	460	190	240	30	138	258	210	23	38	420
GLHB 100 150	150	600	240	330	30	138	258	210	23	58	420
GLHB 100 200	200	735	290	415	30	138	258	210	23	78	420
GLHB 100 250	250	875	340	505	30	138	258	210	23	98	420
GLHB 100 300	300	1015	390	595	30	138	258	210	23	115	420
GLHB 100 350	350	1165	440	695	30	138	258	210	23	132	420
GLHB 100 400	400	1280	490	760	30	138	258	210	23	148	410
GLHB 100 450	450	1420	540	850	30	138	258	210	23	161	400
GLHB 100 500	500	1560	590	940	30	138	258	210	23	175	390
GLHB 100 550	550	1695	640	1025	30	138	258	210	23	190	380
GLHB 100 600	600	1840	690	1120	30	138	258	210	23	200	370
GLHB 100 650	650	1980	740	1210	30	138	258	210	23	210	360
GLHB 100 700	700	2120	790	1300	30	138	258	210	23	220	350
GLHB 100 750	750	2260	840	1390	30	138	258	210	23	230	340
GLHB 100 800	800	2400	890	1480	30	138	258	210	23	240	330
GLHB 100 900	900	2675	990	1655	30	138	258	210	23	245	300
GLHB 100 1000	1000	2950	1090	1830	30	138	258	210	23	245	270

We can also customize this values.
If you need a unique design please contact us.





 GL MAKINA

GL Makina Ltd. Co.
T. +90 312 395 63 17
F. +90 312 395 64 17

www.glmakina.com
info@glmakina.com