

# EFFECTIVE CONTROL FOR INDUSTRIAL APPLICATIONS



**CS03**  
Operator Control Seat

# TECHNICAL PROPERTIES

## SEAT

MECHANICAL SUSPENSION .....	STANDARD
100 MM VERTICAL SUSPENSION STROKE .....	STANDARD
MECHANICAL WEIGHT ADJUSTMENT .....	STANDARD
MECHANICAL HEIGHT ADJUSTMENT - TMM .....	STANDARD
FORE AND AFT ADJUSTMENTS - AND MM .....	STANDARD
ADJUSTABLE BACKREST ANGLE .....	STANDARD

## CONSOLES

RAL 7035 COLOR .....	STANDARD
WIDTH 250 MM .....	STANDARD
FORWARD-BACKWARD/UP-DOWN .....	STANDARD
BLIND TOP PLATES .....	STANDARD

## EQUIPMENTS

REVOLVING TABLE .....	OPTIONAL
SWIVELING PANEL RH SIDE .....	OPTIONAL
SWIVELING PANEL LH SIDE .....	OPTIONAL
MASTER CONTROLLERS .....	OPTIONAL
CONTROL COMPONENTS .....	OPTIONAL
HEATER .....	OPTIONAL

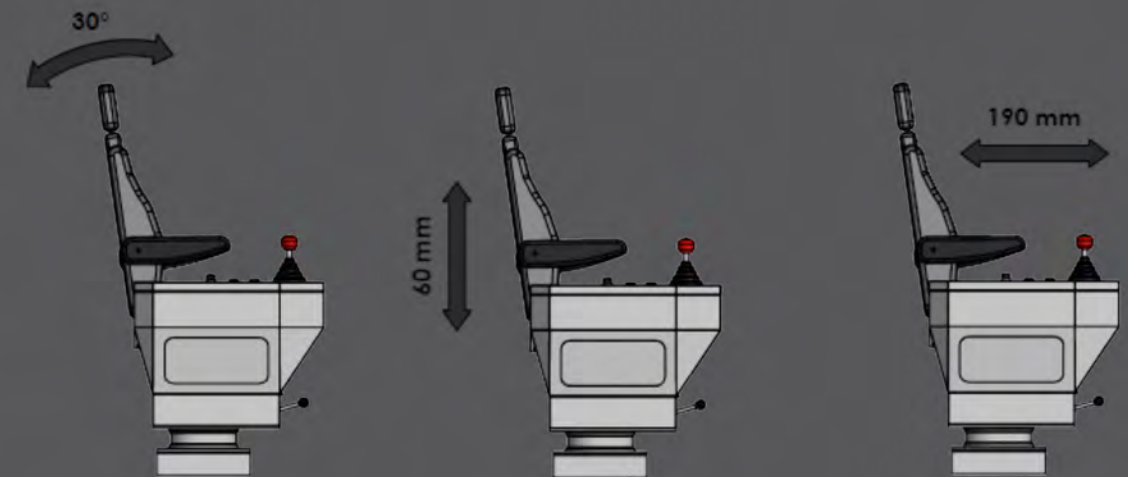
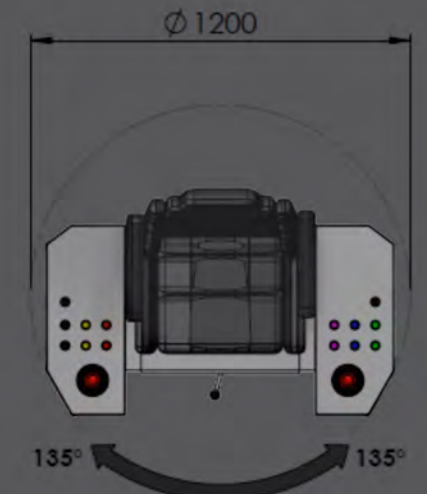
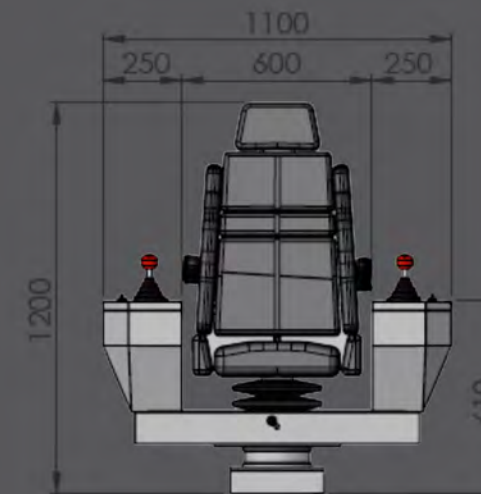
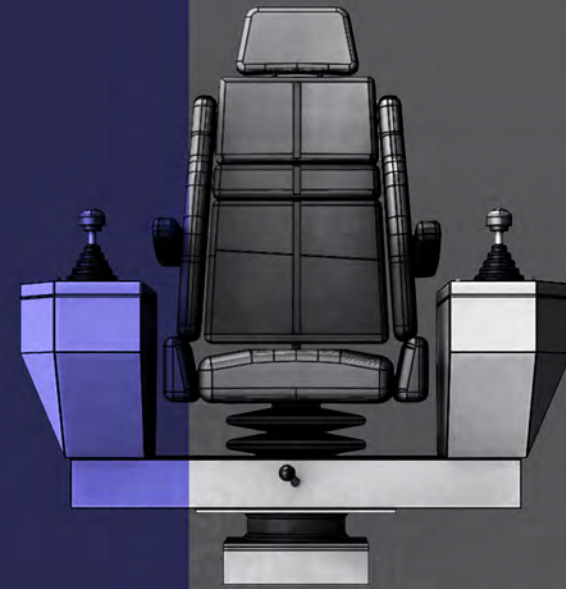
## ERGONOMICS

Operator control panels are used in various systems such as crane systems manipulators and construction machines.

Main features of a well designed cabin should include, suitable mechanical structure for aggressive working conditions, the panoramic structure to ensure optimum field of view and prioritizing the operator's job is to provide the ergonomic health conditions.

Depending on the studies carried out on the driver's cabins, wrong designed cabin seats cause back pain due to whole body vibration. Depending on wrong panoramic design operators may faced with neck hernia. In addition, inadequate thermal and sound insulation may cause several physical and psychological damages.

Control panels are produced in various models depending on the applications. The control arms ( the "joystick " s) and buttons are placed appropriately according customer demands and the seating position. If you transmit to us electric schemes, we able to prepare control knobs and buttons as a turnkey product

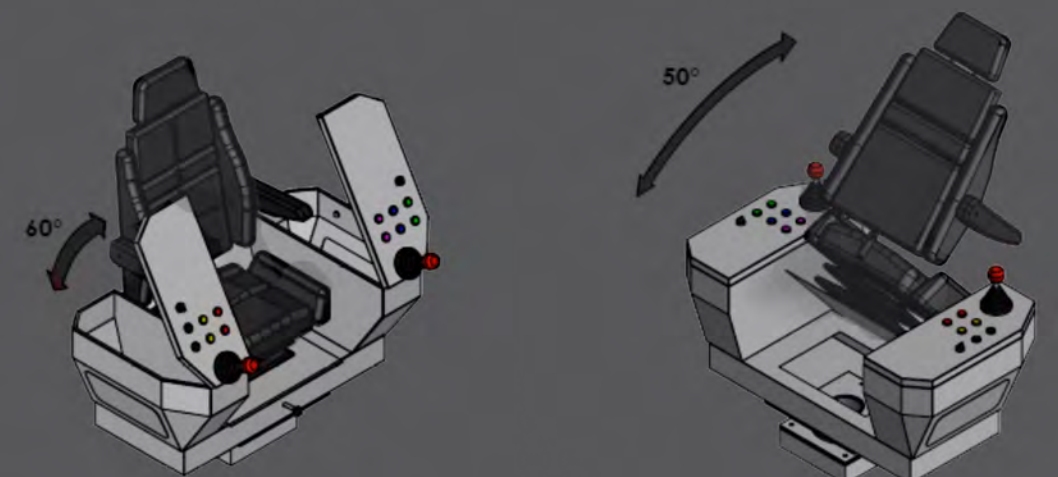


## IMPROVE THE WORKING ENVIRONMENT

By adding some additional equipments, you can improve the working environment of crane operator.

## BEST WAY TO MODERNIZATION

If you transmit to us electric schemes, we able to prepare control knobs and buttons as a turnkey product.





 GL MAKINA

GL Makina Ltd. Co.  
T. +90 312 395 63 17  
F. +90 312 395 64 17

[www.glmakina.com](http://www.glmakina.com)  
[info@glmakina.com](mailto:info@glmakina.com)