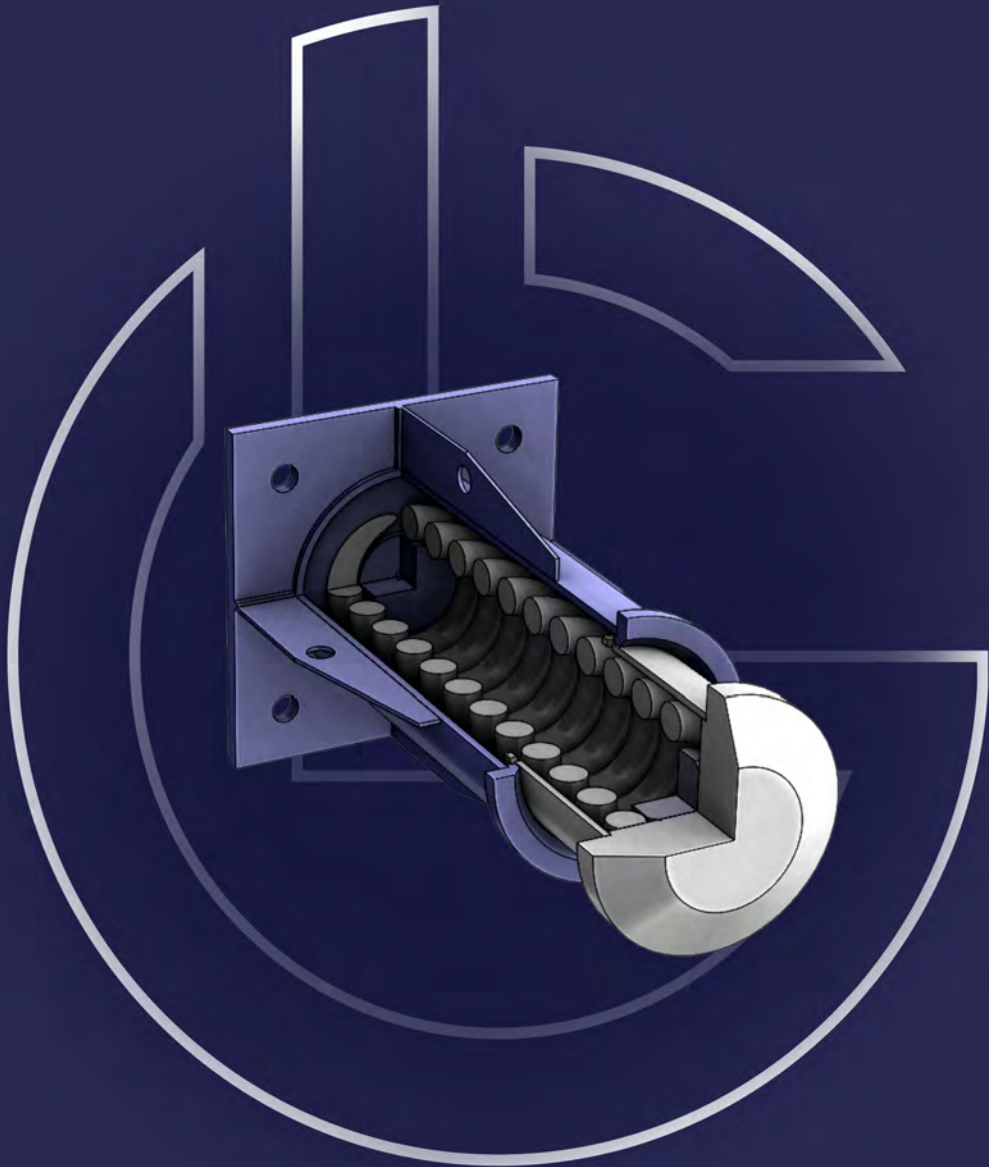


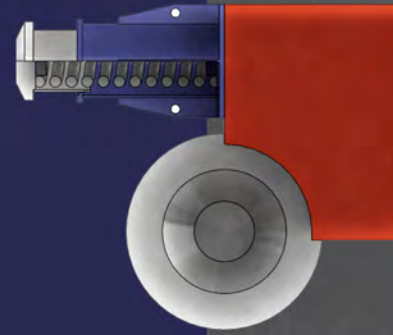
EFFECTIVE CONTROL
FOR INDUSTRIAL APPLICATIONS



**SPRING
BUFFERS**

 **GL MAKINA**

TECHNICAL PROPERTIES



GENERAL

ABSORBING CAPACITY	50-7500 J
STROKE	50-200 MM
STEEL BODY	ST 37-3
BOTTOM FLANGE MOUNTING	STANDARD
FRONT FLANGE MOUNTING	OPTIONAL

SPRINGS

TEMPERED MATERIAL	STANDARD 60SICR7
MANUFACTURING STANDARTS	TS 1441 UIC 822

COATING

SPRINGS	DIP PAINTING RAL 9005 BLACK 80 µM
BODY	SYNTHETIC RESIN COLOR OPTIONAL 80 µM
CONTROL COMPONENTS HEATER	OPTIONAL OPTIONAL

Crash effect is a physical factor to be avoided in mechanical structures. Energy that cannot be damped through cranes working with high kinetic energy and other rail transport systems leads to crashes and therefore, to damages in the mechanical structure, and thus significantly decreases the fatigue life of the steel structures.

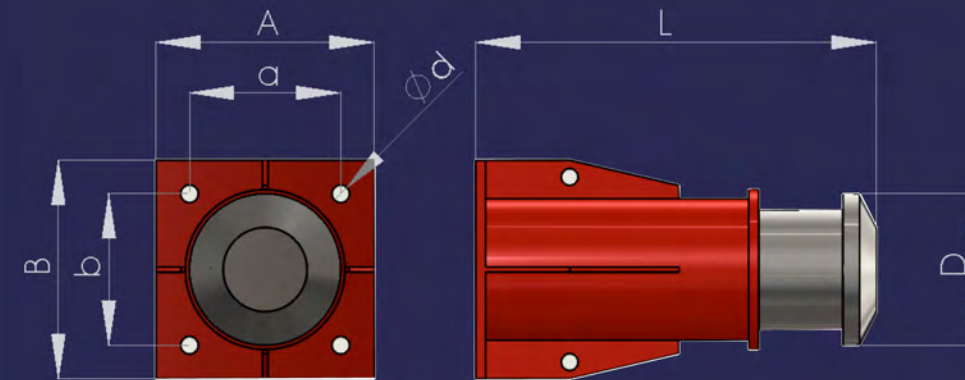
Buffers used to damp the energy resulting from the crash in rail transport systems and crane systems working with various load capacities and in different velocities are very important for prolong the life of the transport system and for the security. GL Machinery Ltd. co. Provides solutions for damping through estimations and designs in line with the related standards and international technical reports, based on the information presented by the customer. It is possible to manufacture two types of buffers as spring supported and hydraulic as well as many variations according to energy buffering capacities, strokes and connection types. In the selection of buffers, it is important to prefer the buffers with optimum values by determining the right spring and buffering coefficient.

IMPROVE THE WORKING ENVIRONMENT

By adding some additional equipments, you can improve the working environment of crane operator.

BEST WAY TO MODERNIZATION

If you transmit to us electric schemes, we able to prepare control knobs and buttons as a turnkey product.



Sample product ID;
GLSB2000
W (Joule)

	S Stroke "mm"	Ø Cap Diameter "mm"	L Total Lenght "mm"	AxB Base Flange "mm"	axb Fixation "mm"	Ø Fixation Holes "mm"	W Capacity/ Stroke "Joule"	F Force/ Stroke "N"
GLSB0250	100	100	275	150x150	125x125	11	250	5000
GLSB0500	80	100	320	230x230	125x125	17	500	12500
GLSB1000	110	170	370	230x230	170x170	17	1000	20000
GLSB2000	120	180	370	260x260	180x180	21	2000	40000
GLSB3500	100	180	470	260x260	180x180	21	3500	65000
GLSB7500	180	180	600	260x260	180x180	25	7500	85000



We can also customize this values.
If you need a unique design please contact us.





 GL MAKINA

GL Makina Ltd. Co.
T. +90 312 395 63 17
F. +90 312 395 64 17

www.glmakina.com
info@glmakina.com