

**EFFECTIVE CONTROL**  
FOR INDUSTRIAL APPLICATIONS



**ELECTRICAL  
EQUIPMENT ROOM**

 **GL MAKINA**

# TECHNICAL PROPERTIES

## ENGINEERING

### EXACTLY WHAT YOU NEED

We do not believe in a standard product line, because your application is particular to your industry. With nearly 10 years of design/build experience, we have the know-how to construct exactly what you need. We are able to make structural calculations and vibration analysis.

## CUSTOMIZING

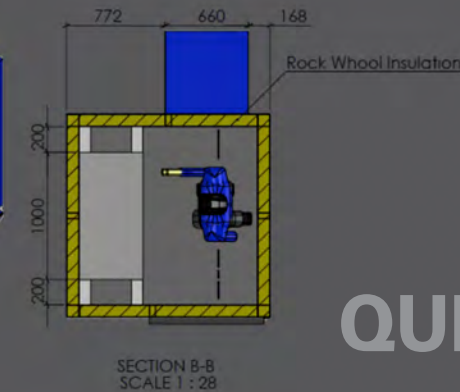
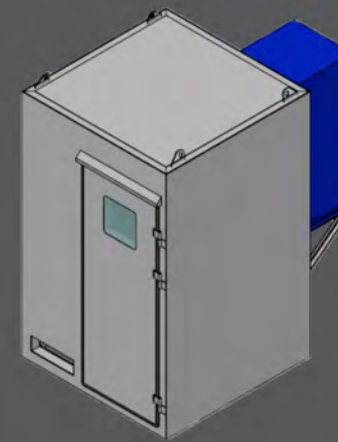
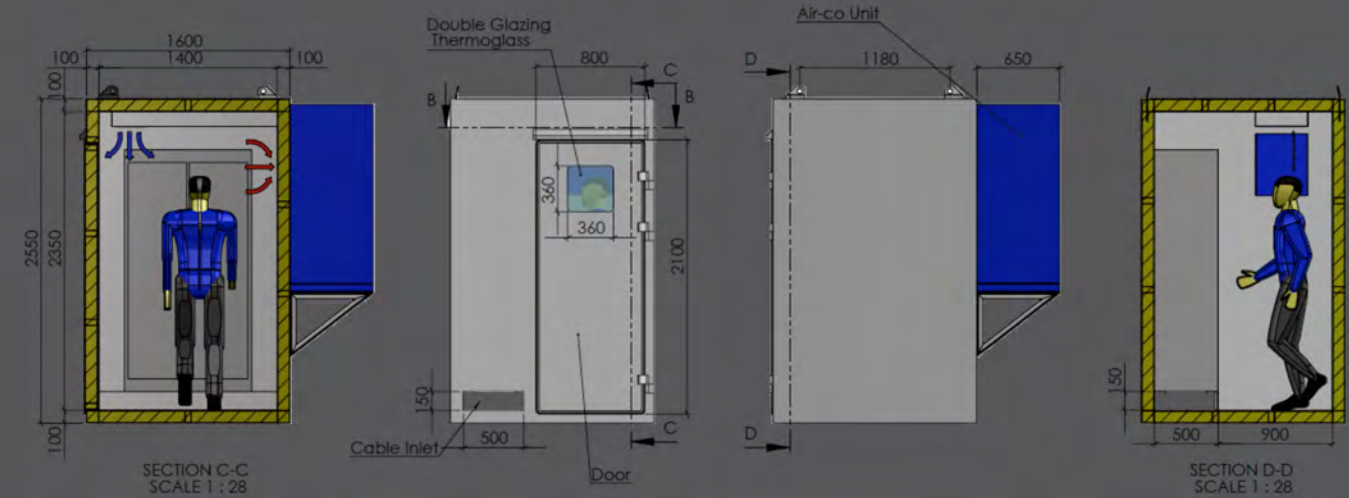
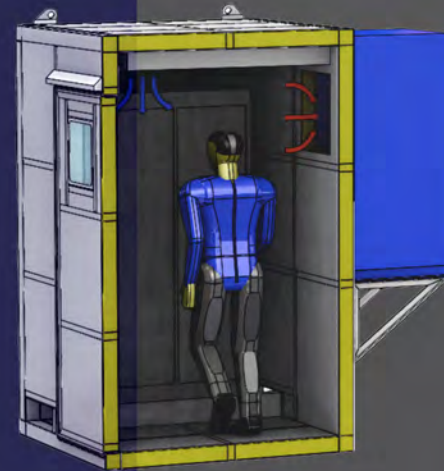
### COMPLETE SOLUTION

GL products are designed and manufacturing by combining customer demands, field inspections and our experiences. If customer demand, we are able to perform all assembly, disassembly and start up. We can supply a complete solution in an integrated manner along with air conditioning systems and electrical devices.

## QUALITY

### QUALIFIED STAFF

All phases of the projects are controlled by qualified personnels which assures you about quality, consistency and customized features. From the preliminary stages of deciding what type of enclosures is needed to the delivery of the finished product, GL is there to guide you through the process.



## IMPROVE THE WORKING ENVIRONMENT

By adding some additional equipments, you can improve the working environment of crane operator.

## BEST WAY TO MODERNIZATION

If you transmit to us electric schemes, we able to prepare control knobs and buttons as a turnkey product.

# QUESTIONNAIRE

## GENERAL

SPECIFICATION	STANDARD	OPTIONAL
50 mm Wall and 60 mm ceiling and floor insulation. (rock wool)	Standard	
100 mm insulation. (rock wool)		Optional
Entrance door in rear or side wall.	Standard	
Profiled rubber pad on the floor.	Standard	
The external surface is made of corrugated mass plates/ plain plate	Standard	
The protect level fort he whole enclosures reaches to IP55	Standard	

## ELECTRICAL

Standard 60 W bulb light.	Optional
Led light 18 W	Optional
Light switch and power socket outlet	Optional

## PAINTING

Surface treatment by solvent	Standard
Primer epoxy 120 micron, final 50 micron polyurethane	Standard
Shotblasting to SA 2,5	Optional
Specified paint up to 300 micron	Optional
Inside color different from outside color	Optional

## AIRCO

Industrial type monoblock air conditioner	Optional
Split type air conditioner	Optional





 GL MAKINA

GL Makina Ltd. Co.  
T. +90 312 395 63 17  
F. +90 312 395 64 17

[www.glmakina.com](http://www.glmakina.com)  
[info@glmakina.com](mailto:info@glmakina.com)